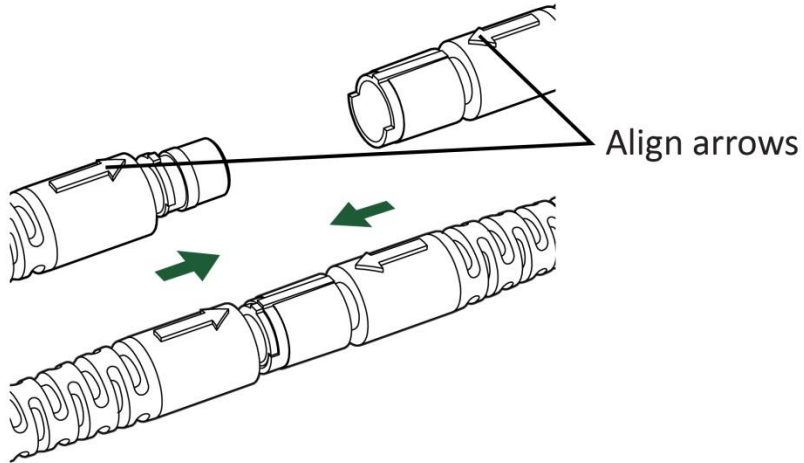




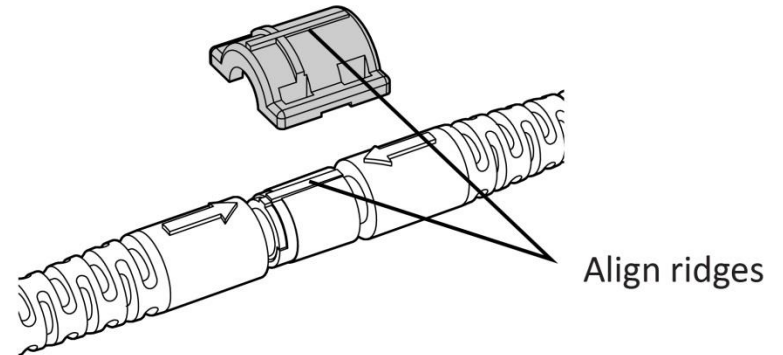
# CableLok

**Install on all EcoZone  
Cable connections**

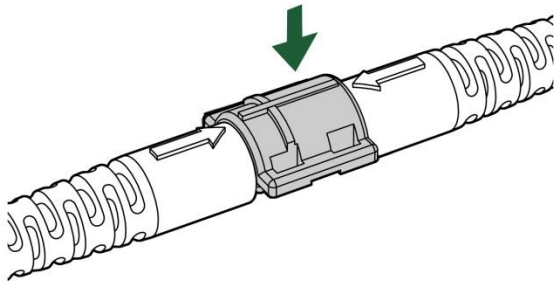
1. Align arrows on connectors
2. Push connectors together until they bottom out



3. Place CableLok Top over connectors  
align ridge with corresponding ridge on connector



4. Snap CableLok Top down into place



5. Align and Snap CableLok Bottom into place

